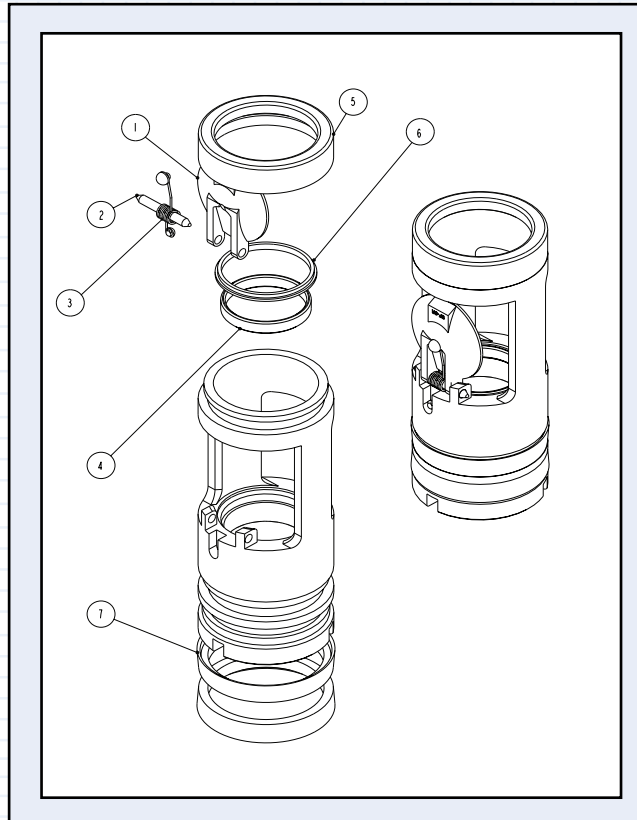
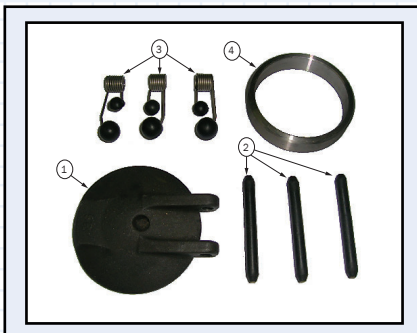
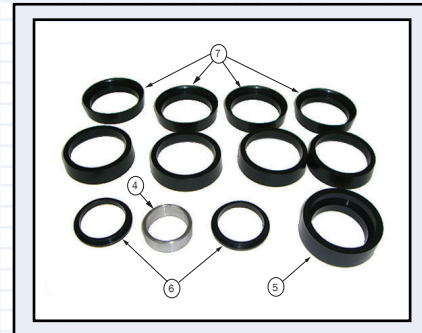


REPAIR KITS FOR ALL STYLE/TEMPERATURES OF MODEL G DRILL PIPE FLOAT VALES

Model G Metal Repair Kit (MRK)


MRK capable of 3 re-dressings

- (Item #) Item - Qty. in Kit
 (#1) Flapper Valve - 1 pc.
 (#2) Hinge Pins - 3 pcs.
 (#3) Spring/Bumper Assemblies - 3 pcs.
 (#4) Seal Retaining Ring - 1 pc.

Model G Rubber Repair Kit (RRK)


RRK capable of 4 re-dressings

- (Item #) Item - Qty. in Kit
 (#4) Seal Retaining Ring - 1 pc.
 (#5) Shock Absorber - 1 pc.
 (#6) Valve Seals - 2 pcs.
 (#7) Side Seals - 8 pcs.